



AIRCRAFT HYDRAULIC GROUND SUPPORT EQUIPMENT

FHA1022

UNIVERSAL SKYDROL HYDRAULIC TEST STAND

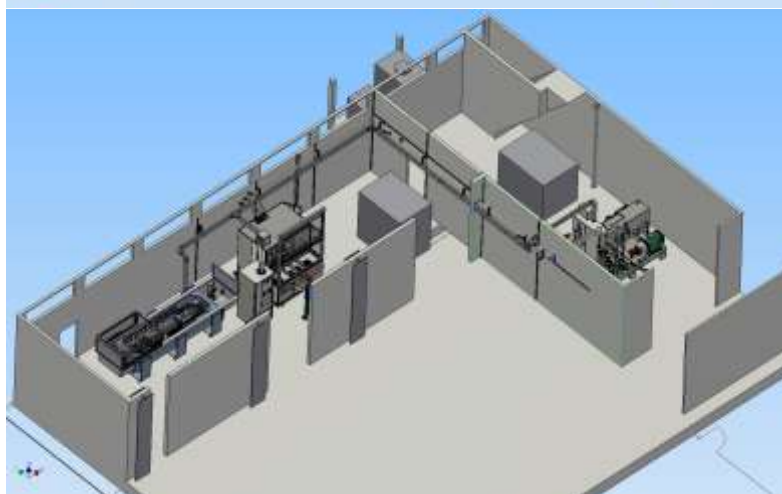
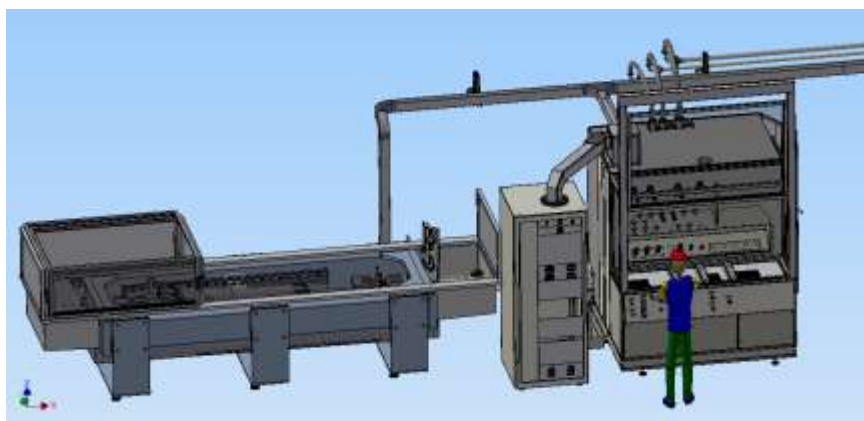
Applicable for CMM :

- 32-31-86
- 32-37-12
- 32-54-22
- 32-34-22
- 32-34-48
- 32-34-12
- 32-32-11
- 32-11-71
- 32-33-11
- 32-50-01
- 32-13-61
- 32-33-15
- 32-35-03
- 32-37-03
- 32-37-01
- 32-38-01
- 32-34-18
- 32-32-01
- 32-50-03
- 32-32-48
- 32-33-30
- 32-30-93
- 32-12-09
- 32-31-84
- 32-31-65.
- 32-46-50
- 32-30-30
- 32-50-13
- 32-43-15

And all CMM with mechanic and hydraulic characteristics complied with this test stand

This ABC hydraulic ground test unit is suitable for:

- ✦ Cylinder Test frame Ref : FHA1022-3
- ✦ Accessory Test bench Ref: FHA1022-21
- ✦ Electronic Bay Ref : FHA1022-22
- ✦ Hydraulic Power pack Ref : FHA 1022-11
- ✦ Cooling system Ref: FHA 1022-12



*No contractual pictures

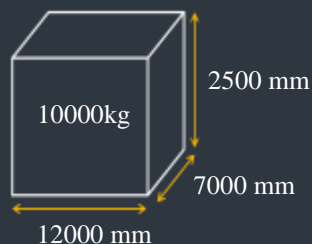


Appareillages et
Bancs hydrauliques
Châtelleraudais
33 rue Joseph Cugnot
86100 Châtelleraut
France
t +33 (0)549 200 369
e +33 (0)549 854 509
✉ contact@abc-essais.com
www.abc-essais.com



AIRCRAFT HYDRAULIC GROUND SUPPORT EQUIPMENT

TOTAL OVERALL DIMENSIONS



- Power supply cable: 5 meters (without plug)

OPERATING CONDITIONS

Operation temperature: from +10°C to +40°C

Indoor use (maintenance hangar)

Forkliftable

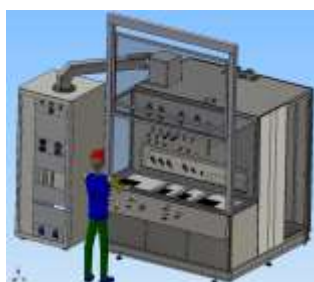
Power supply: 3 x 400V, 50Hz, +Ground (other upon request) 250 kVA (without option)

Commands circuit upon 24V (Safety voltage)

Main characteristics

The test area chassis is mainly composed of the followings:

- ✦ A main frame made of welded steel rectangular beams,
- ✦ A chassis made of welded steel beams on which is welded the main frame.
- ✦ An antagonistic actuator, with a max loading capacity up to 350 kN.
- ✦ A mechanical interface piece to support the UUT.
- ✦ A load transducer set at the lower part of the antagonistic actuator.
- ✦ A displacement sensor integrated in the antagonistic actuator.



- ✦ The accessory as three supply line:
 - 30- 350 Bar up to 170 l/mn
 - 20- 275 Bar up to 110 l/mn
 - Static pressure up to 800 Bar

HYDRAULIC POWER UNIT:

- ✦ SKYDROL HYJET IV or V power pack
- ✦ Pressure max: 5000 PSI – 350 Bar
- ✦ Flow max: 43 USG – 160 l/mn
- ✦ Static pressure up to: 11000 PSI – 800 Bar

ELECTRONIC BAY:

- ✦ PC
- ✦ ORCHID ABC software
- ✦ Several electric supplies
- ✦ Security check
- ✦ Measurements
- ✦ Printer

COOLING SYSTEM:

- ✦ Frigorific power: 45 kW

Standard accuracy (other upon request)

- ✦ Pressure gauge: Class 1,6
- ✦ Flowmeter: Class 5 of the reading value
- ✦ Sound level: less than 70 dbA for test frame
- ✦ Sound level: 80 dbA for power pack
- ✦ Hourmeter

To order: FHA1022

Options available (other upon request)

- ✦ Specific tooling



Appareillages et Bancs hydrauliques Châtelleraudais
33 rue Joseph Cugnot
86100 Châtelleraut
France
t +33 (0)549 200 369
e +33 (0)549 854 509
✉ contact@abc-essais.com
www.abc-essais.com